



Advantage Plus

Radiographic Suites

by **TXR**

- *High Quality*
- *Hospital, Clinic or Private Practice*
- *DR, CR or Film Solutions*

Advantage Plus

Radiographic Suites

by **TXR**

The AdvantagePlus radiographic suites are affordable general purpose systems that can be configured with a choice of tables, tube stands and generators to accomplish a wide range of table, wall stand and wheel chair examinations tailored to your needs and patient load.

The AdvantagePlus suites were designed to deliver high performance imaging for a demanding environment. The solid design ensures outstanding reliability for the busy hospital and private practice settings.



AFFORDABILITY, DURABILITY AND FLEXIBILITY



LATERAL EXAMS

The tube stand can easily be moved and rotated so that positioning for lateral exposures is fast and accurate.



ADDED VERSATILITY WITH ELEVATING TABLE.

EXTENSIVE COVERAGE

- Wheelchair Patients
- Chest exams
- Leg exams
- Weight bearing exams
- Table exams

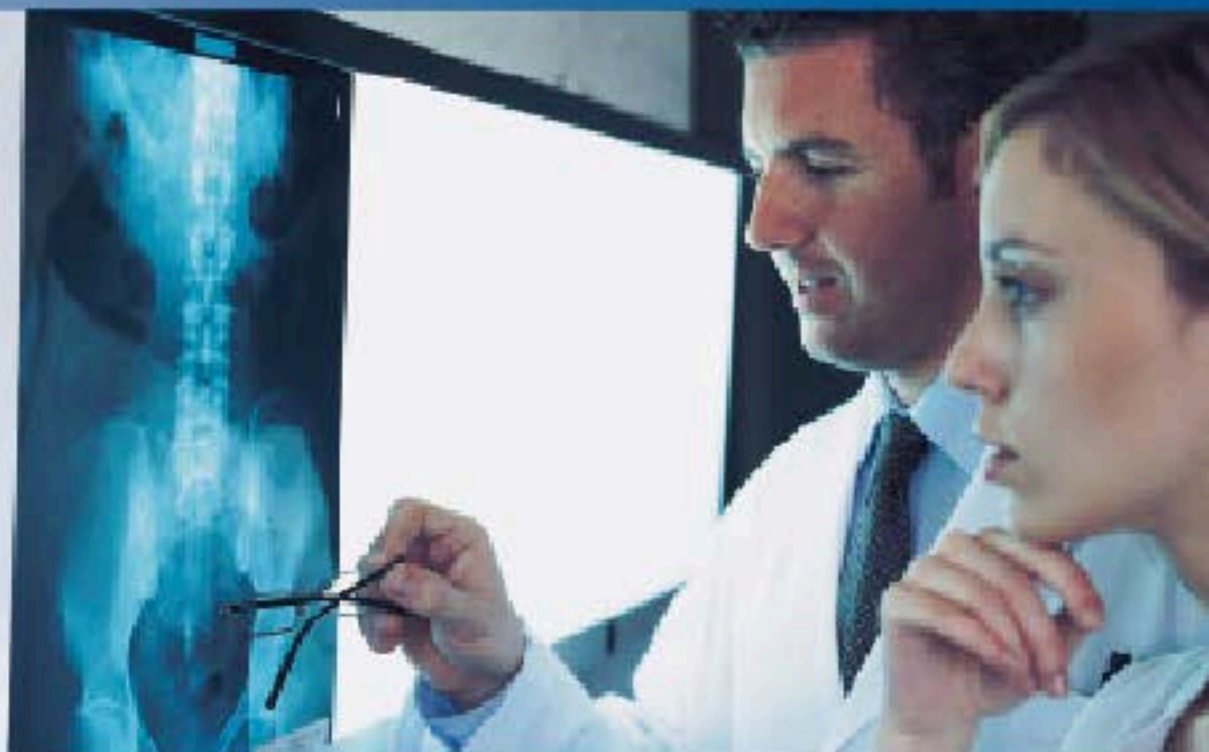


Advantage Plus

Radiographic Suites

by **DXR**

EXTENSIVE VERTICAL TRAVEL



The counterbalanced tube stand provides smooth vertical movement. For exposures using the wall stand, the tube column can be moved past the table on either the right or left-hand side. On either side, the vertical range of movement of the tube assembly can be lowered to a source-to-floor distance of 15.75" (40 cm).

STANDARD FEATURES FLOOR MOUNT TUBE STAND WITH DIGITAL READOUT:

- 11.8" (80 cm) Transverse travel
- 180° Column rotation
- Vertical travel 63.78" (162 cm)
- Digital readout of SID and Angulation
- Electromagnetic locks
- 108.5" (275.6 cm) Floor track provides 78.74" (200 cm) longitudinal tube travel

ELEVATING TABLE:

- 750 lb. (340 kg) Patient load
- 86.5" x 31.5" (217.4 x 80 cm)
- Table top – 43.3" (110 cm) Longitudinal and 9.5" (24 cm) lateral table top movement
- 15.74" (40 cm) Vertical travel
- 20.3" (59 cm) Bucky travel
- Collision protection
- Super speed bucky with 10:1 ratio, 103 line grid

FIXED HEIGHT 4 WAY FLOAT TOP TABLE:

- 86.6" x 32.4" (220 x 82.5 cm) Table top
- 440 lb (200 kg) patient load
- 35" (89 cm) Longitudinal and 9" (23 cm) lateral table top travel
- 20.3" (58 cm) Bucky travel
- Stationary grid cabinet with 10:1 ratio, 103 line grid
- Electromagnetic locks

WALL STAND:

- Floor-to-Wall mounted
- 15.75" (40 cm) to 75" (191 cm) Vertical travel
- Electromagnetic locks
- Super speed bucky with 10:1 ratio, 103 line grid

OPTIONS:

- Various grids
- Bucky for fixed height 4 way float top table
- Lateral cassette holder for table
- Overhead or side mounted patient hand grips for wall stand
- Ion chambers
- DR panels

Advantage Plus

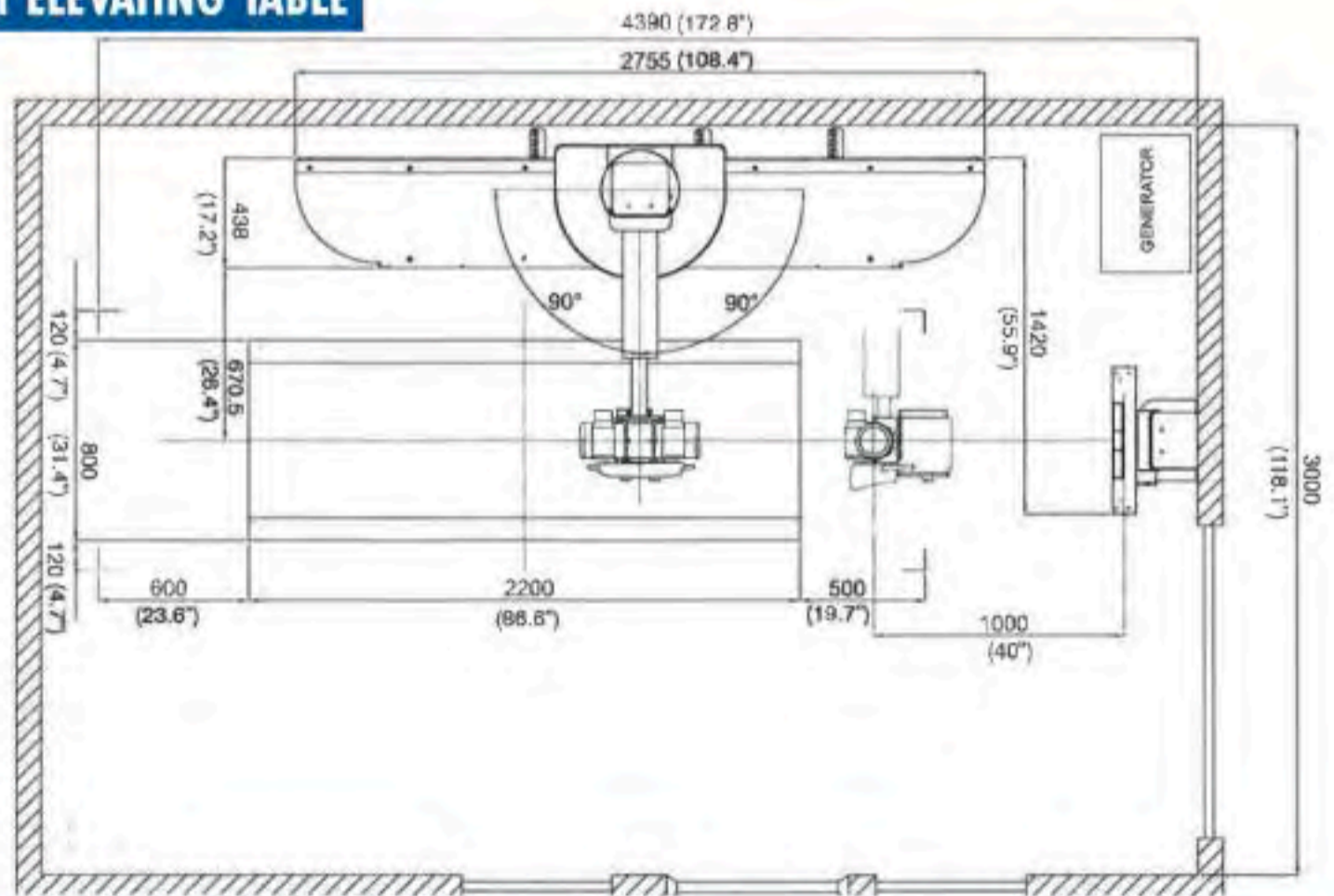
Radiographic Suites

by **TXR**

Distributed By:



DIMENSIONS WITH ELEVATING TABLE



TXR • 5481 Skyland Blvd., E • Cottondale, AL 35453

Phone: 205-556-3803 • Fax: 205-556-3824 • 800-897-9729 • www.txr.com • sales@txr.com

COMPLIES WITH FDA AND PRODUCT SAFETY REQUIREMENTS. • SPECIFICATIONS SUBJECT TO CHANGE WITHOUT NOTICE